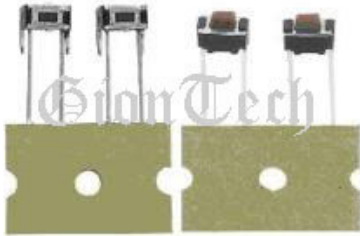


Small Tact Switch (Vertical / R/A, TH Type)



TSG-2L/2MT-XXXH


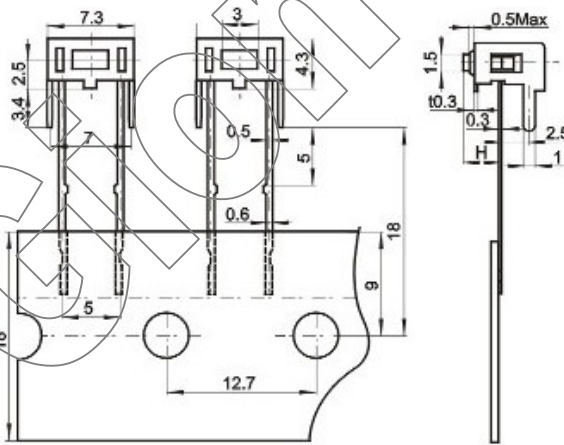
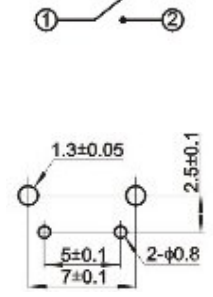
TS - Tact Switch
G - G Series
2L / 2M – Type
T - TH Type
XXX - Action Force (gram)
H - With Post (Optional)

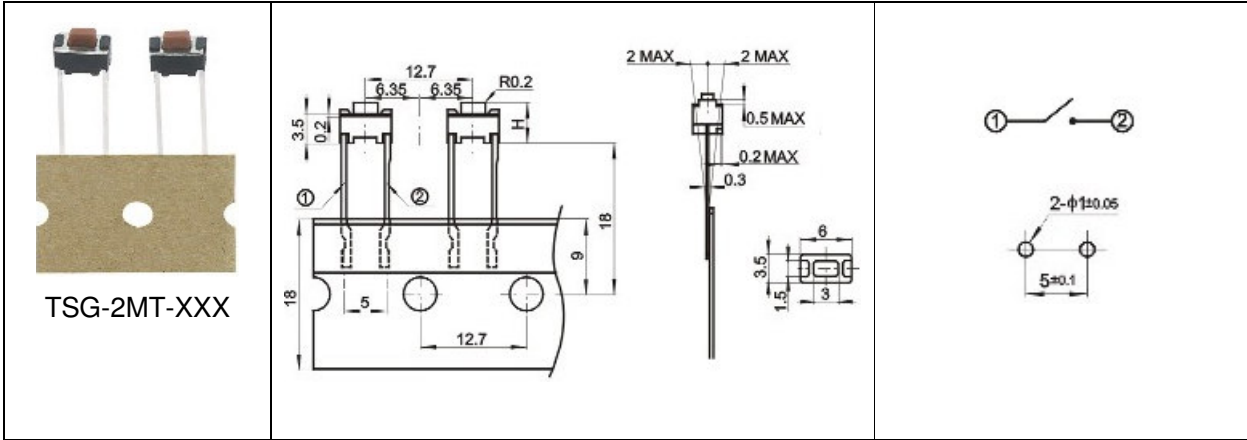
SPECIFICATIONS

Mechanical Life: 50,000 cycles
Operating Force: 180±50g, 250g±50g
Travel: 0.25±0.1mm
Rating: 50mA 12V DC
Dielectric withstanding: 250V AC/minute
Insulator resistance: ≥ 100 MΩ at 100V
Contact resistance: ≤ 100 mΩ/Contact
Operating temperature: -30°C ~ +85°C
Storage temperature: -40°C ~ +85°C

Material

Base: PA6T, UL94V-0
Contact material: Phosphor Bronze
Contact Spring Plating: Stainless Steel/Silver Plating

Physical Picture	Outline Drawing	Circuit / Footprint
 <p>TSG-2LT-XXXH</p>		



GionTech